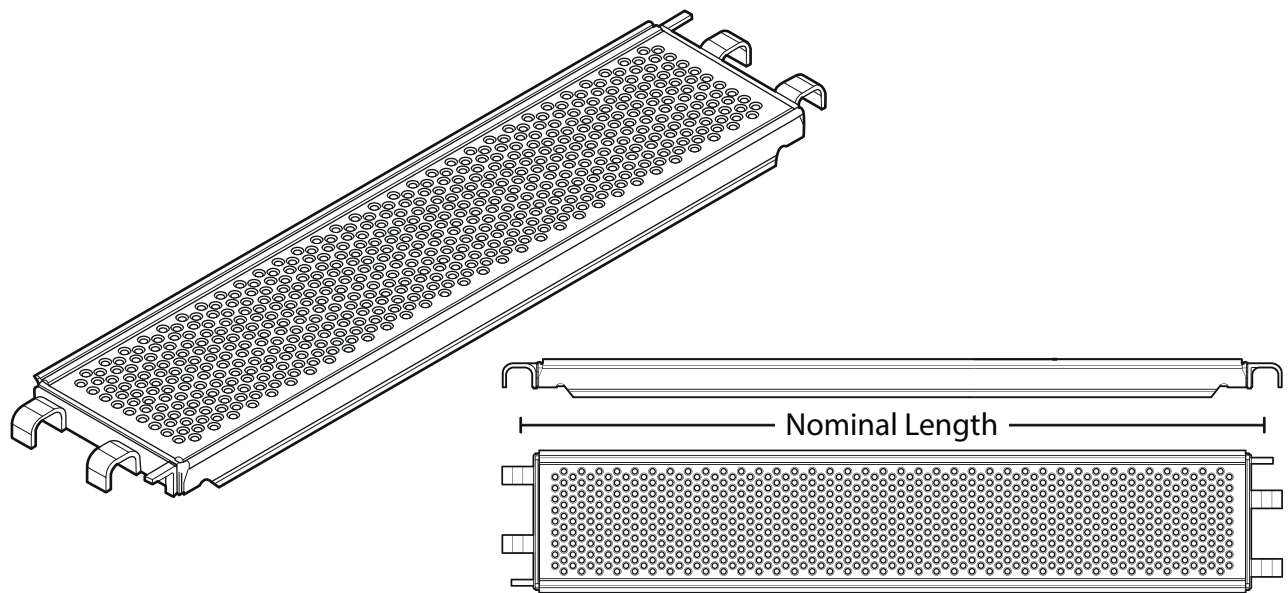




universal  
Scaffolding

# 12-1/2" Steel Plank

## PRODUCT INFORMATION SHEET



Product Code	Description	Nominal Length		Weight	
		Inches	Meters	Lbs.	Kg.
RLP24	2' 4" Plank w/ Hooks	28	0.77	16.4	7.4
RLP36	3' 6" Plank w/ Hooks	42	1.06	24.0	10.8
RLP43	4' 3" Plank w/ Hooks	51	1.30	25.6	11.6
RLP69	6' 9" Plank w/ Hooks	81	2.06	37.0	17.0
RLP86	8' 6" Plank w/ Hooks	102	2.59	43.2	19.6
RLP10	10' 0" Plank w/ Hooks	120	3.05	46.8	21.2